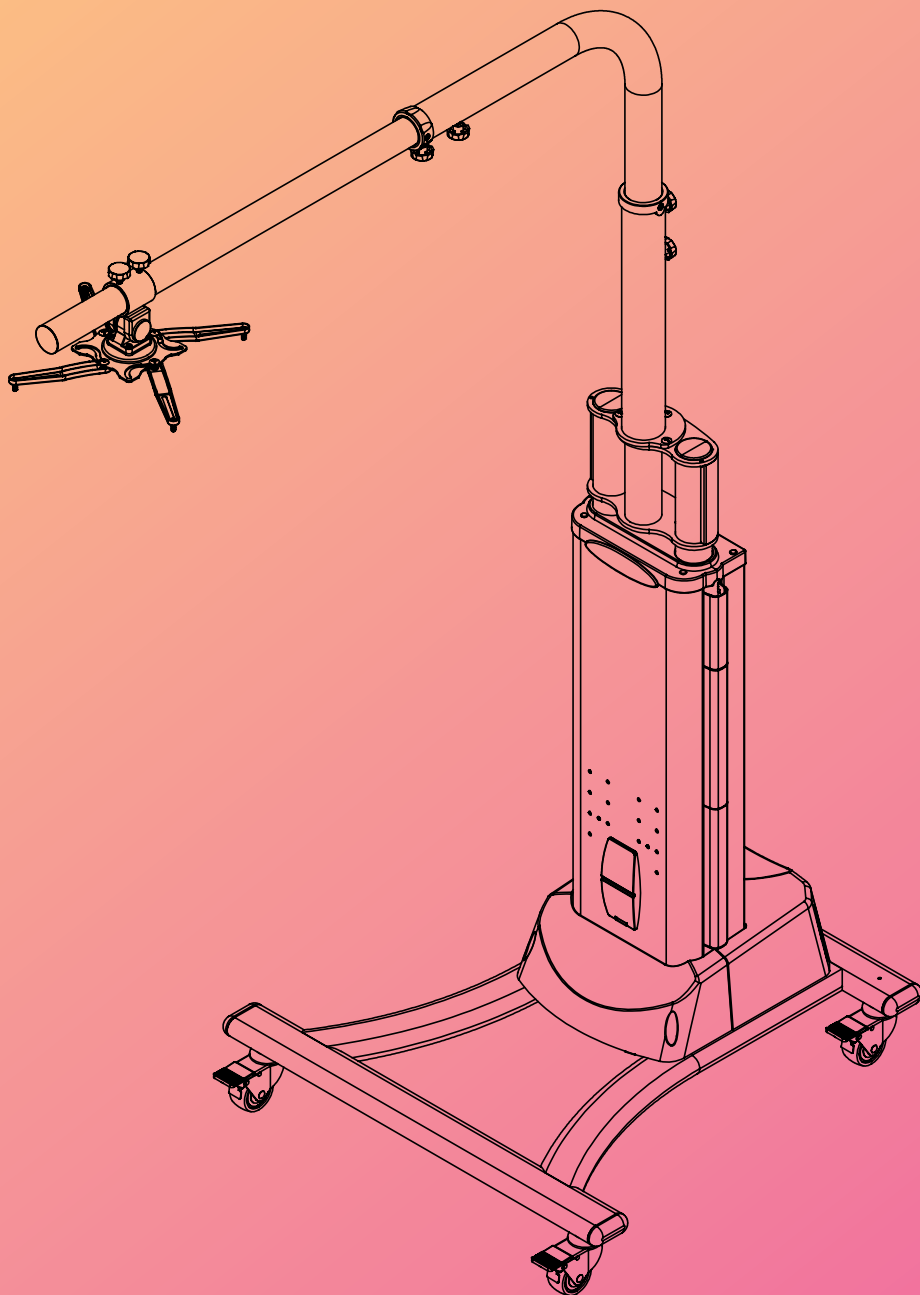
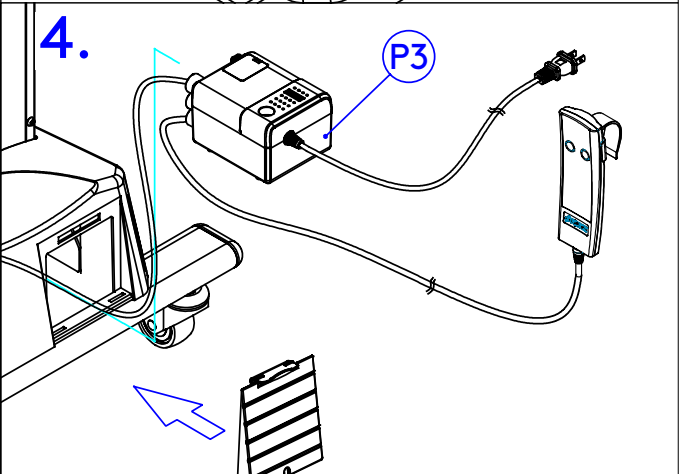
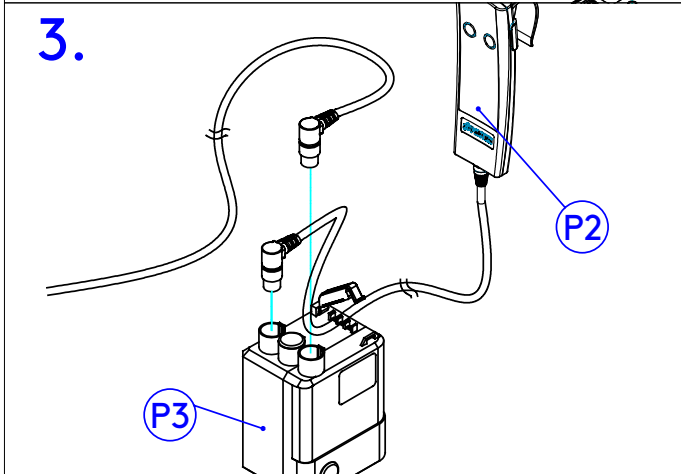
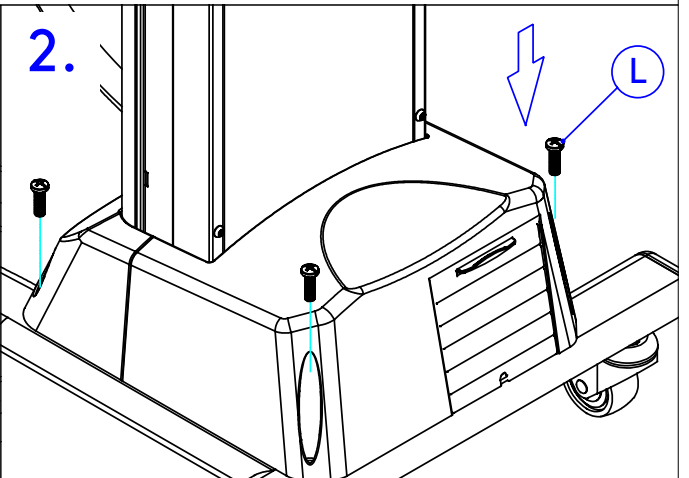
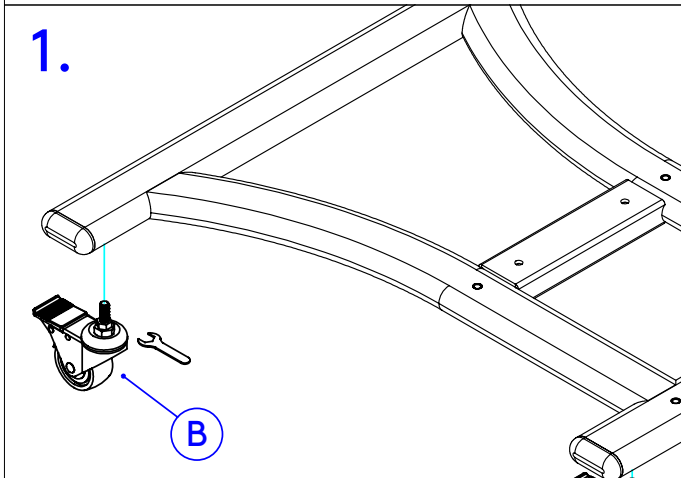
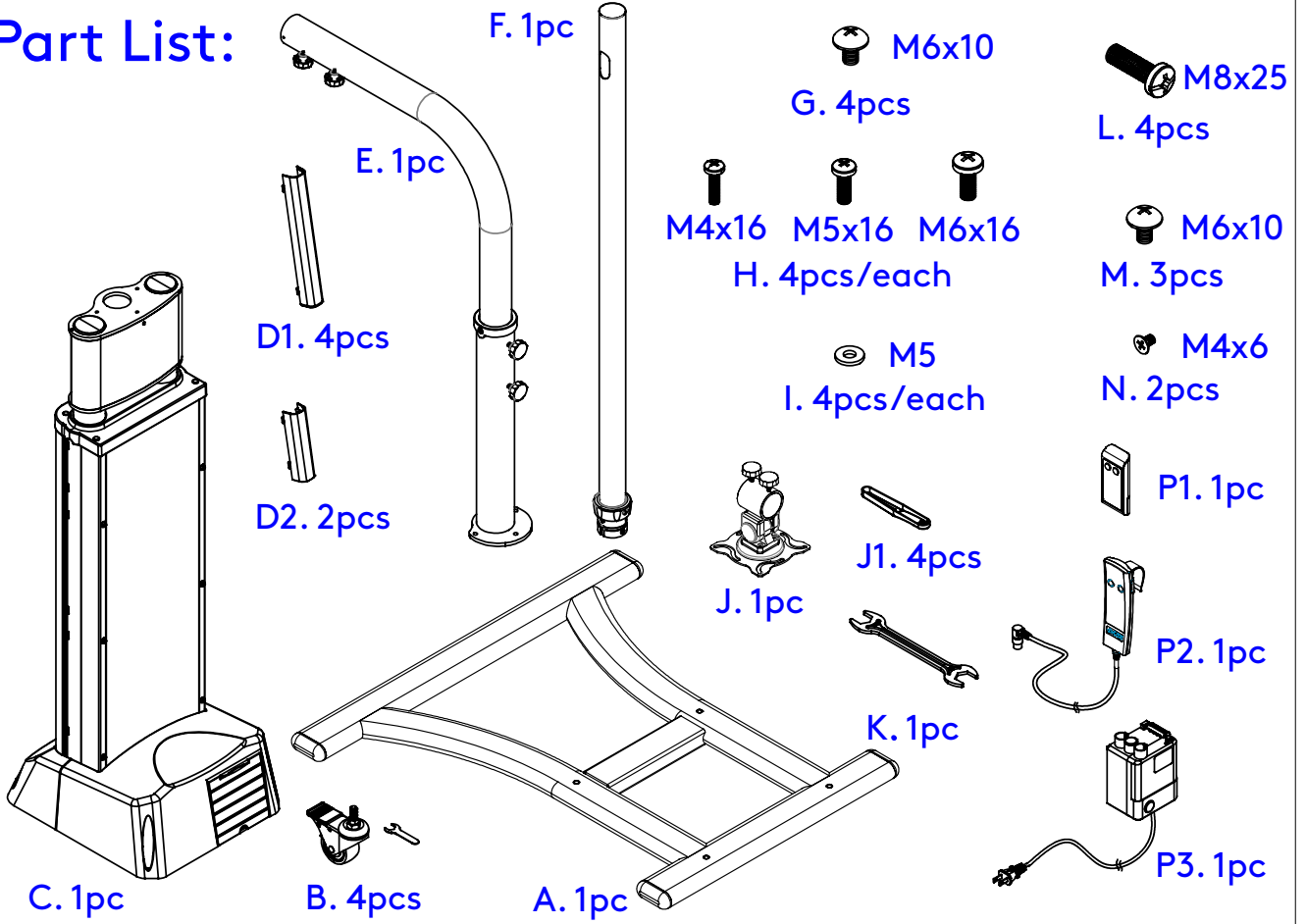


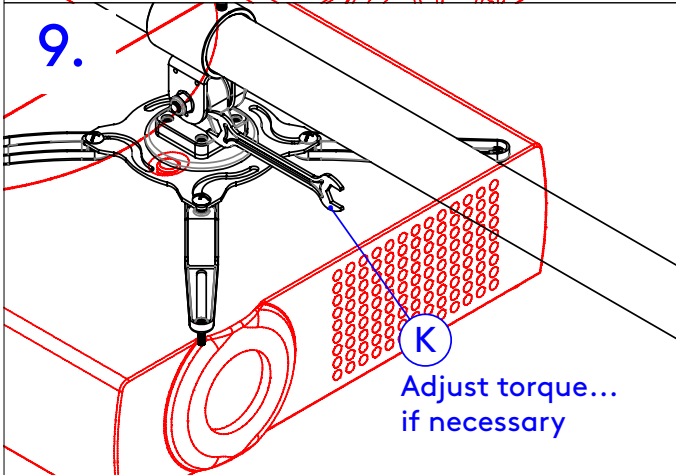
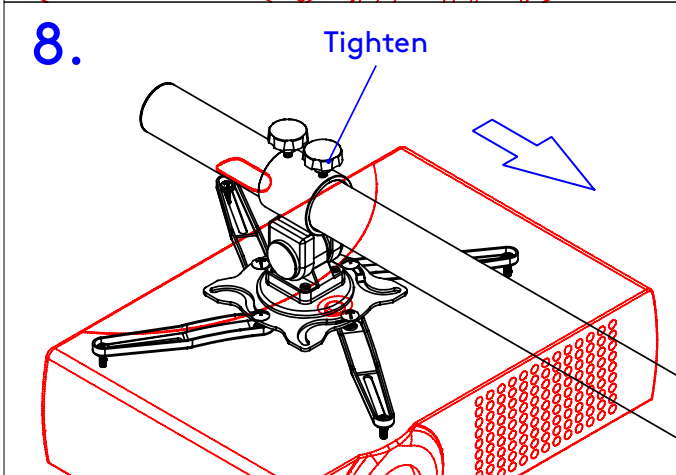
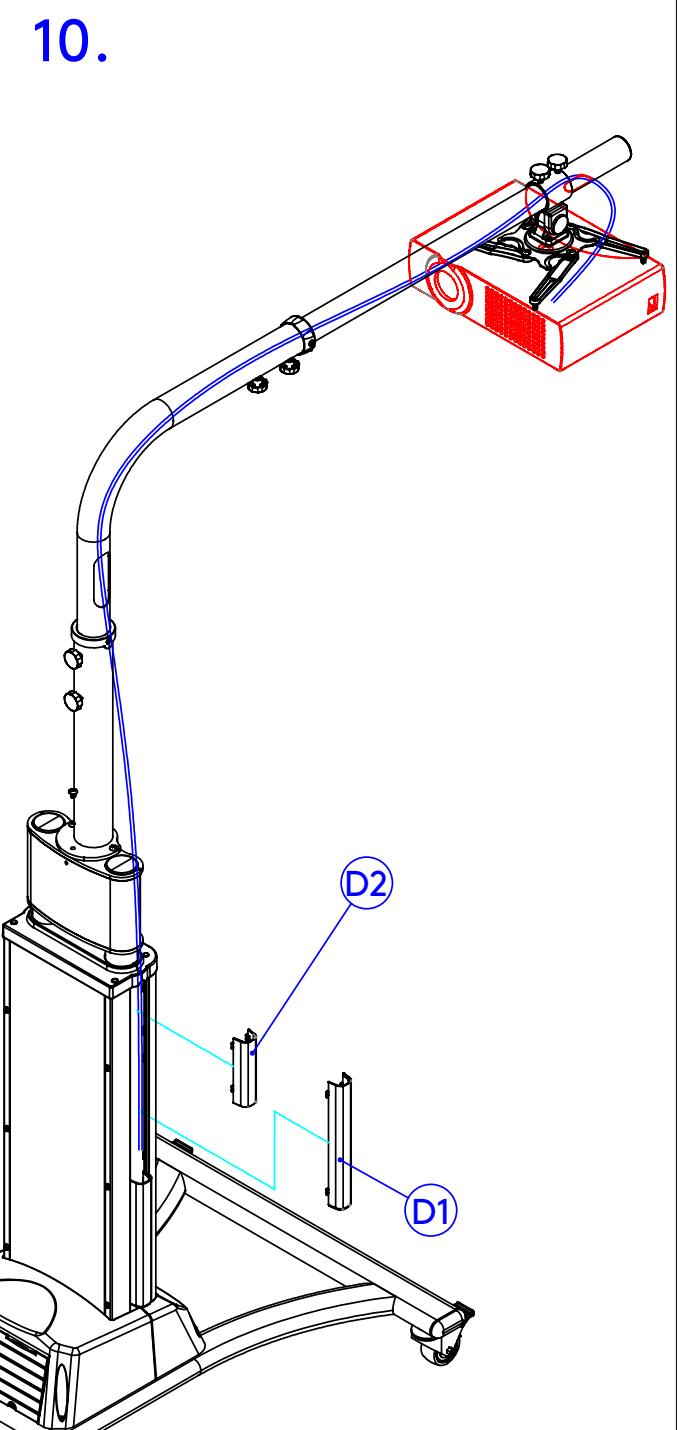
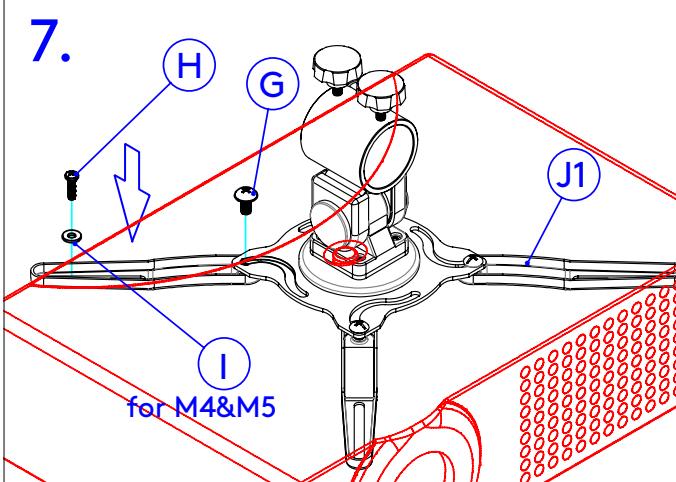
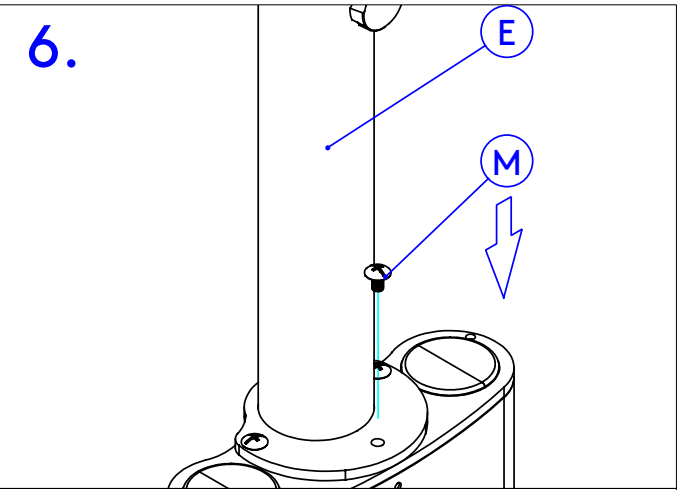
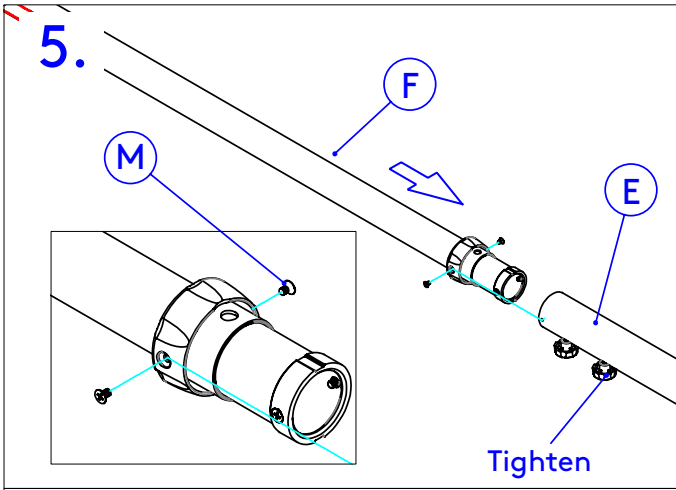


Motorized Projector Stand Installation Guide



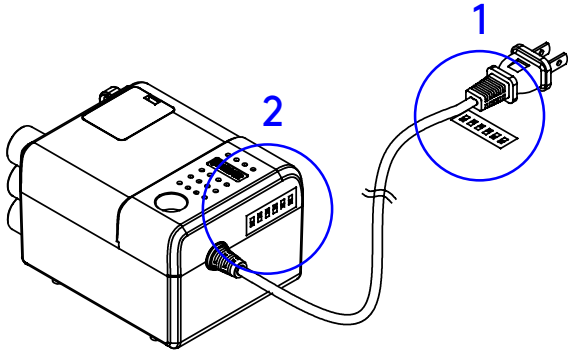
Part List:



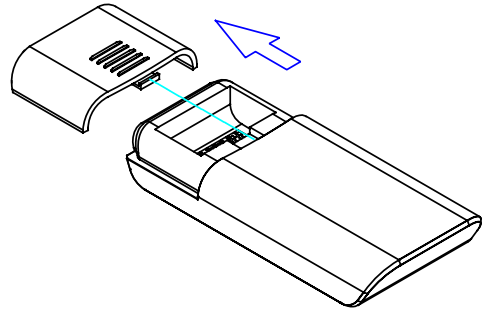


RF Remote Control Setting

1. Please find out the PIN code on the sticker attached on the power cord of control box.
2. The PIN code can be also found out on the control box.



3. Open the battery cover of the handset, there is a 60-Digit DIP SWITCH inside.



4. Make sure the Setting of the DIP SWITCH is the same as the PIN code sticker.

