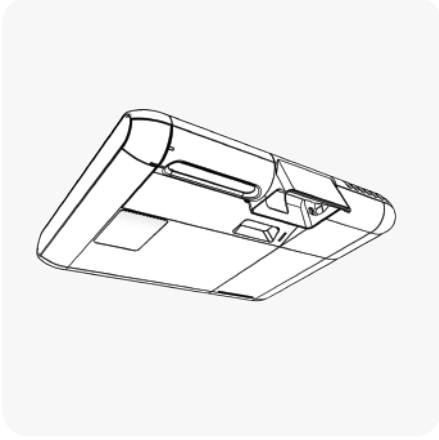


The logo for Obie, featuring the word "Obie" in a bold, black, sans-serif font. The letter "o" is replaced by a small, multi-colored circle with a gradient from yellow to pink.

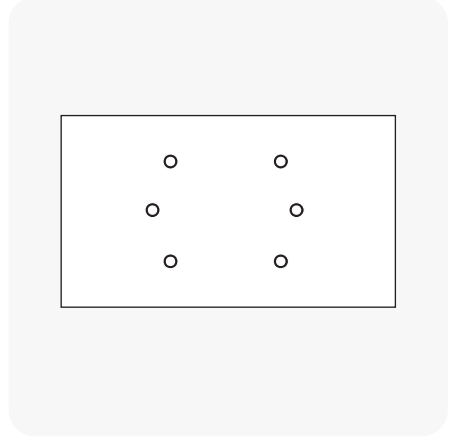
Installation Manual

INSTALLATION STEPS

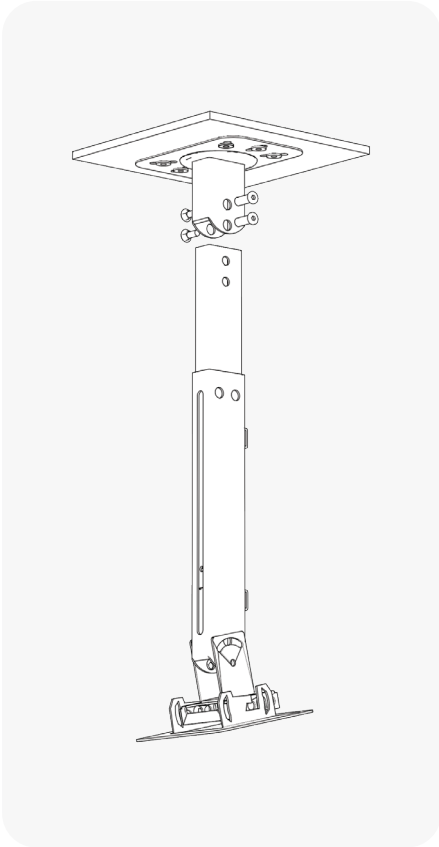
- 1. What's In The Box 02
- 2. Choose Your Setup 03
- 3. Installing The Mount 04
- 4. Securing The Obie & Adjusting The Projection 08



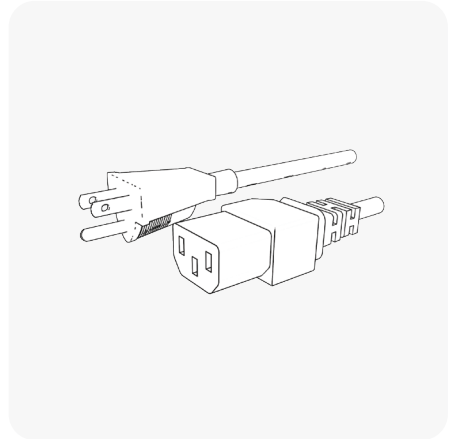
01 Obie Device



02 Drilling Template



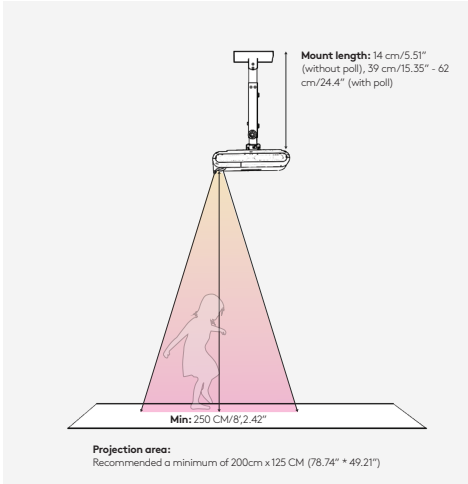
03 Mount



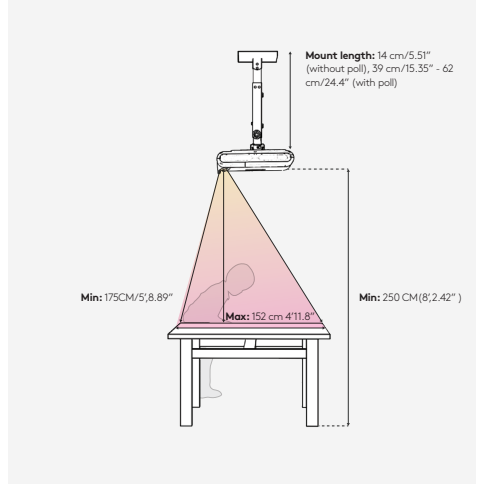
04 Power Cable



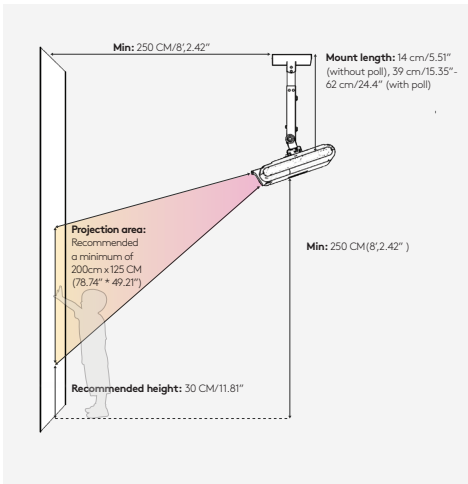
05 Screws Bag

**Floor**

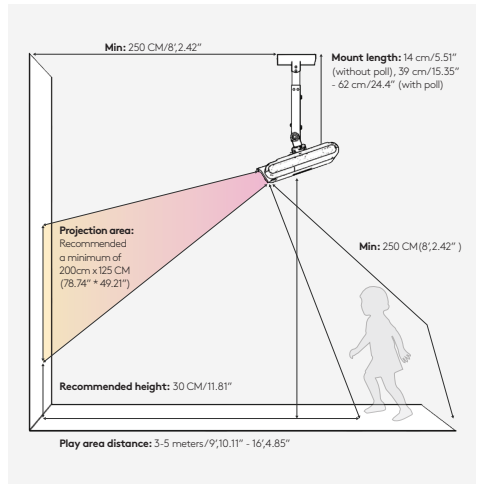
Project onto the floor

**Table**

Project onto a table

**Wall**

Project onto the wall

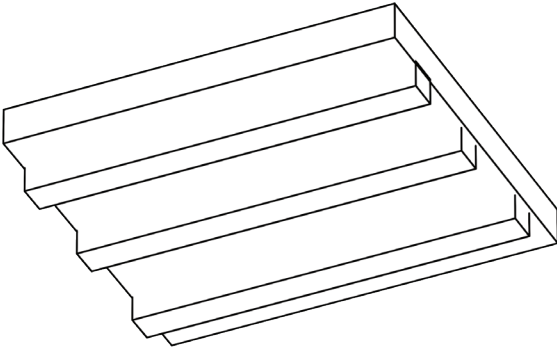
**Avatar Wall**

Project onto the wall

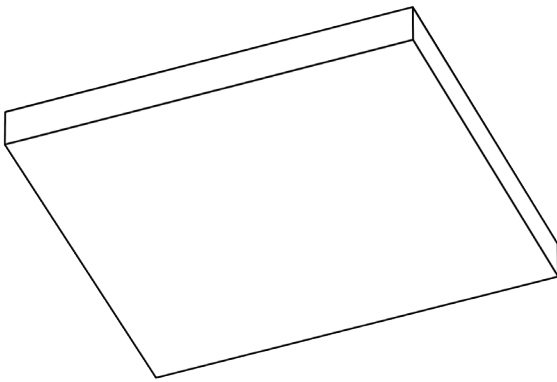
Important information:

- Make sure to have an electricity socket near the installation location.
- In some cases you can change the setup without the need to change the mount installation. For example, you can change from wall to table by adjusting the position of the projection area and the angle of the Obie.

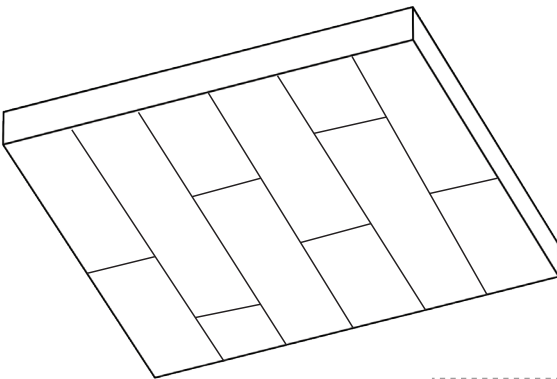
Choose your type of ceiling:

**3A**

Sheetrock Ceiling | Page 5

**3B**

Concrete Ceiling | Page 6

**3C**

Wooden Ceiling | Page 7

3A SHEETROCK CEILING

What's required to be collected

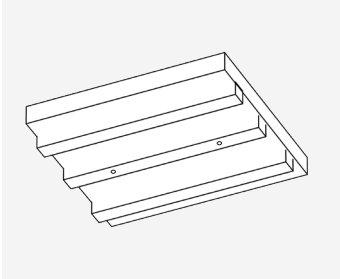
Screws x 2

Washers x 2

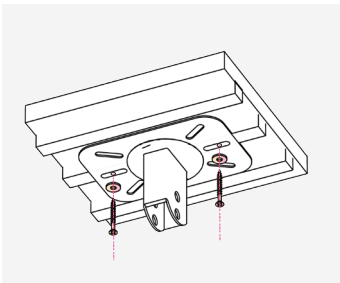
Pencil

Screwdriver

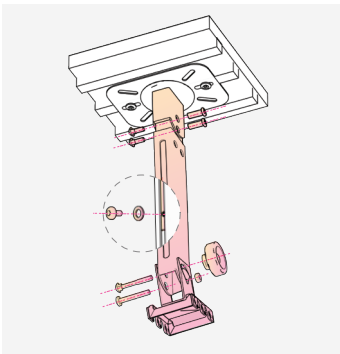
Ladder



- 1 Locate the wooden rafter and use the two center holes in the drill template to mark drill points for screws.

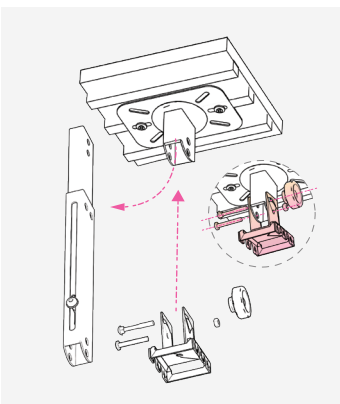


- 2 Screw in the ceiling plate (2 screws and washers).



Install with extension pole

- 3.1 Fasten the mount pole to the ceiling plate with bolts.



Install without extension pole (Optional)

- 3.2 For head clearance you can remove the extension pole.
Fasten the tilting bracket directly to the ceiling plate with knobbed bolt and fastening bolt.

3B CONCRETE CEILING

What's required to be collected

Screws x 4

Washers x4

Plugs x4

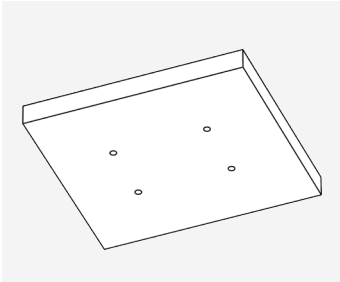
Pencil

Ladder

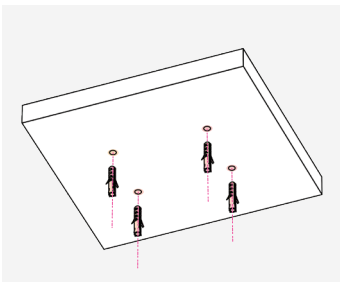
Drill

Screwdriver

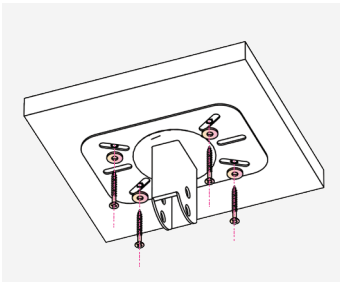
Hammer



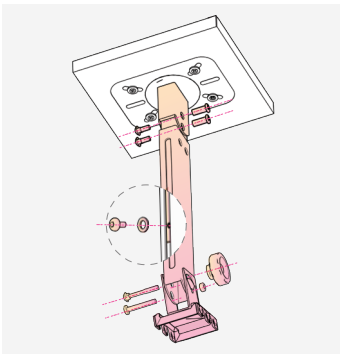
- 1 Use the four corner holes in the drill template to mark drill points for plugs.



- 2 Drill holes and insert plugs.

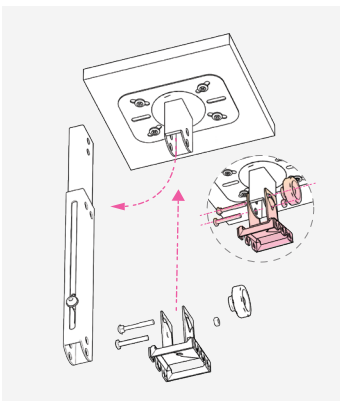


- 3 Screw in the ceiling plate (2 screws and washers).



Install with extension pole

- 4.1 Fasten the mount pole to the ceiling plate with bolts.



Install without extension pole (Optional)

- 4.2 For head clearance you can remove the extension pole.

Fasten the tilting bracket directly to the ceiling plate with knobbed bolt and fastening bolt.

3C WOODEN CEILING

What's required to be collected

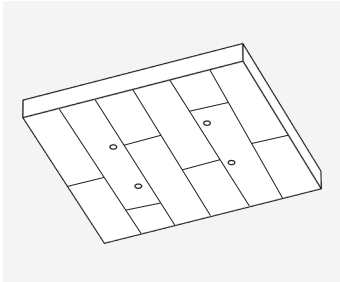
Screws x 4

Washers x 4

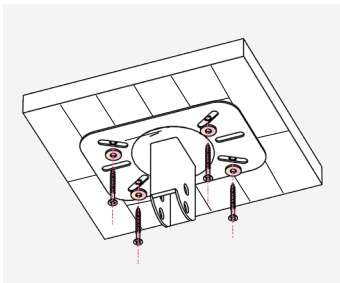
Pencil

Screwdriver

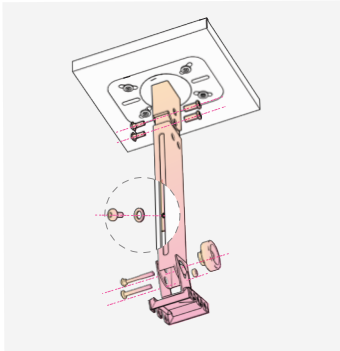
Ladder



- 1 Use the four corner holes in the drill template to mark drill points for screws.

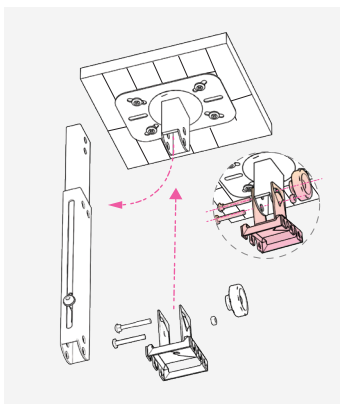


- 2 Screw in the ceiling plate (4 screws and washers).



Install with extension pole

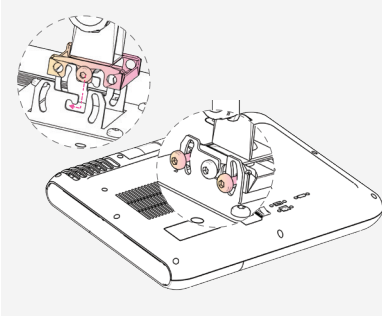
- 3.1 Fasten the mount pole to the ceiling plate with bolts.



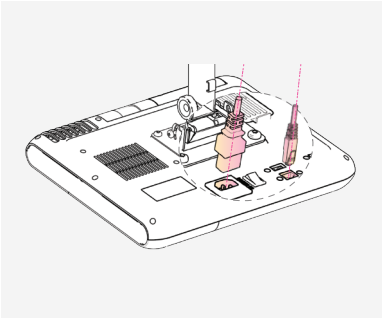
Install without extension pole (Optional)

- 3.2 For head clearance you can remove the extension pole.
Fasten the tilting bracket directly to the ceiling plate with knobbed bolt and fastening bolt.

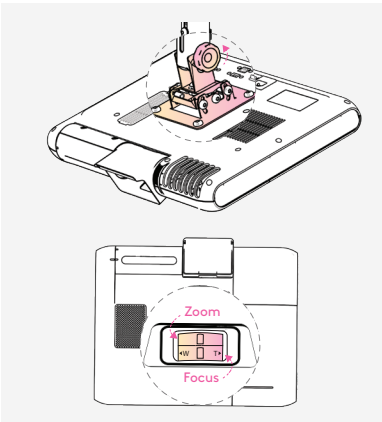
SECURING THE OBIE & ADJUSTING THE PROJECTION



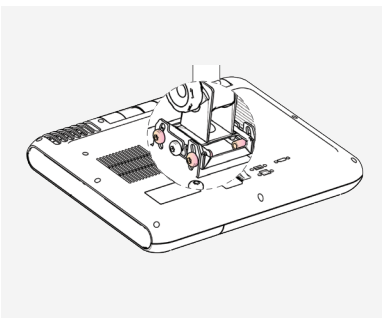
- 1 Take out the Obie and place middle L-shaped routings over middle screws in the tilting bracket (the Obie can be suspended in this fashion while retrieving extra screws). Retrieve the 4 hex screws and screw them in half way.



- 2 Plug in the power cable and switch on the Obie, a projection will appear. The Obie is both WiFi and LAN capable.

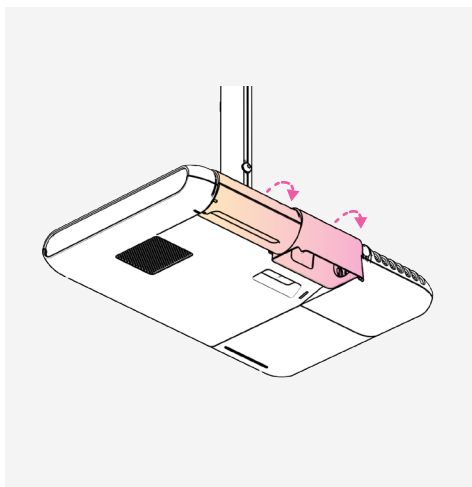


- 3 In order to achieve best projection, use the tilting bracket, knob and swivel. To maximize or minimize, use the zoom and focus toggle. For various setups please see page 9.



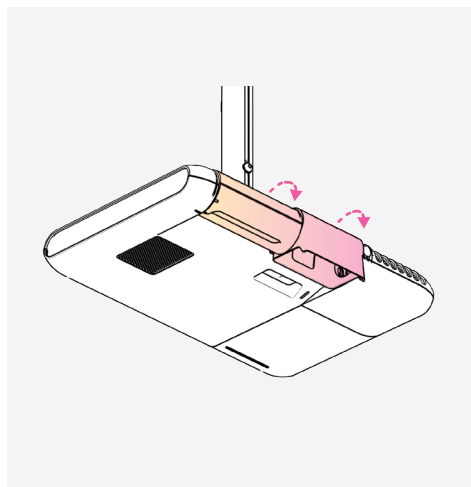
- 4 Once desired projection is achieved, lock the knob and screw in the remaining four hex screws – tighten all six screws.

HOW TO OPERATE OBIE



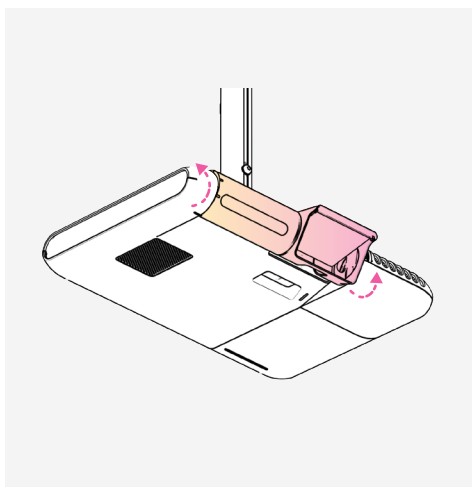
Floor

Rotate the mirror and the camera towards the floor until they lock into place.



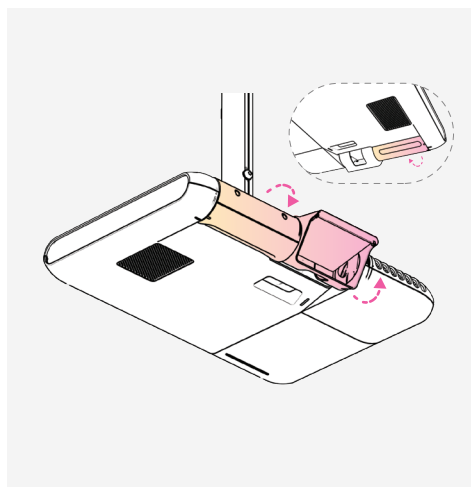
Table

Rotate the mirror and the camera towards the table until they lock into place.



Wall

Rotate the mirror and the camera towards the wall until they lock into place.



Avatar Wall

Rotate the mirror towards the wall and the camera towards the opposite direction until they lock into place.

WARNINGS AND PRECAUTIONS

We consistently inspect and evaluate our product performance during its production processes to ensure that every product we manufacture meets the highest standards and also serves as the expected solution to customers.

- **Partial Eye Damage**

The Obie equipment has a high-level brightness, therefore do not look into the Obie lens when the lamp is turned on. Avoid standing in front of the Obie, so the light does not shine directly into your eyes. Ensure to keep it away from the reach of children. This may cause damage to the eyes.

- **Risk of Suffocation**

The accessories are packaged in plastic bags. To avoid any risk of suffocation, keep the plastic bags away from little children.

- **No Self-Servicing**

When you notice any form of fault on this product, do not attempt self-service. Refer all repair servicing to experienced service personnel. While the Obie is in use, there are high electrical voltages inside of it. These voltages are capable of causing a severe injury to anyone, and only experienced persons can handle repairs services.

IMPORTANT SAFETY INSTRUCTIONS

For safety purposes, follow all instructions listed below when setting up and using the Obie.

- Do not place any heavy object or stand on the Obie.
- Do not disassemble the lamp or subject it to impacts.
- Unplug the Obie during lightning storms.
- Do not place the Obie on an unstable stand or table.
- Secure the power cord from being walked on or pinched at the plug part, and discontinue use if the cable or cord is damaged.
- Do not mount near any heat generating sources such as stoves, cookers, radiators, etc.
- Never block its ventilation openings; neither should you use the apparatus near water.
- Do not remove the lamp immediately after use; the apparatus will be extremely hot. Turn off the power and allow the lamp to cool completely before you lift.
- Do not place any source of open flame (a lit candle) on or near the Obie.
- Before you move the Obie, ensure power is turned off, and all cables and plug are disconnected from their various outlets.
- Never block the lens during Obie using any object except the lens cover. But avoid screening with the lens cover closed. This can cause equipment damage or fire.
- If you intend to use the Obie outside its country of purchase, ensure you use the right power cord of that country.
- Never use the apparatus outside the required temperature range of 41 to 104 °F (5 to 40 °C) at an altitude of 7500 feet (2286 m) or less, or 41 to 95 °F (5 to 35 °C) at a higher altitude.
- Do not use the Obie where flammable or explosive gases are present.
- Ensure you leave at least 2 feet (60cm) spaces between two Obie devices while in use. This will allow for proper ventilation.
- Do not cover the slots and openings in the Obie case. They provide proper ventilation and protect overheating.
- Do not use or expose the Obie in an extreme humidity environment or rain.
- Do not use or keep the Obie in a closed vehicle, direct sunlight, or warm environment.
- Always refer servicing of the Obie to qualified service personnel under the following condition:
 - If liquid or external object gets into the Obie.
 - If it has been exposed to rain or a hot object.
 - If the apparatus falls on the ground.
 - If the power cord is damaged or frayed.
 - If it exhibits a distinct change in performance.
 - If smoke, strange odor or noises come from the Obie.

- Do not touch the Obie plug during an electrical storm; if you do, you may receive an electric shock.
- If the Obie lamp breaks, be careful to prevent gases contained in the lamp from being inhaled. Also, avoid pieces of glasses from the lamp to get into your eyes or mouth. If it does, please seek immediate medical advice.
- Please do not set the Obie on loose papers or operate it on a soft surface such as a rug, sofa, etc.
- During installation or adjustment on the ceiling or wall, do not use adhesive to prevent the screw from loosening. Also, do not use oil or lubricants. The Obie may fall from its installation point, and this could cause a crack on the Obie case. This can cause injury and Obie damage.
- The Obie should be mounted or installed by experienced technicians using the mounting hardware designed for this purpose.
- Clean the vent and air filter because a clogged vent or air filter can block the ventilation needed to cool the Obie. Also, do not allow or use canned air; the gases may escape a residue.
- Ensure you use the type of power source indicated on the Obie part. The use of a different power source may result to fire outburst. If you are not sure of what kind of power to use, consult your dealer or Power Company.
- Never open or remove the Obie cover; it may expose you to dangerous voltages and other hazards.
- Ensure you unplug the Obie from the power outlet and allow it to cool before cleaning. To clean, use a dry cloth or moist cloth for stubborn dirt.
- Do not use an aerosol cleaner or any cleaner containing a liquid element (benzene, alcohol, etc.)
- Do not cover the Obie with a blanket, tablecloth, or curtain during set up. And if you are setting it up near a wall, leave space between the walls and projector, at least 7.9 inches (20cm).
- The plug is a delicate part of the Obie; there you must handle with care and ensure you:
 - Insert the plug firmly into the power outlet.
 - Do not hold the plug with wet hands.
 - Do not overload the power outlet, power strips, and extension cord.
 - Hold the plug when disconnecting.
 - Do not insert the plug into a power outlet with dust.
- Never store the Obie outdoor for an extended period.

Obie

www.playobie.com

Copyright © 2019. All rights reserved